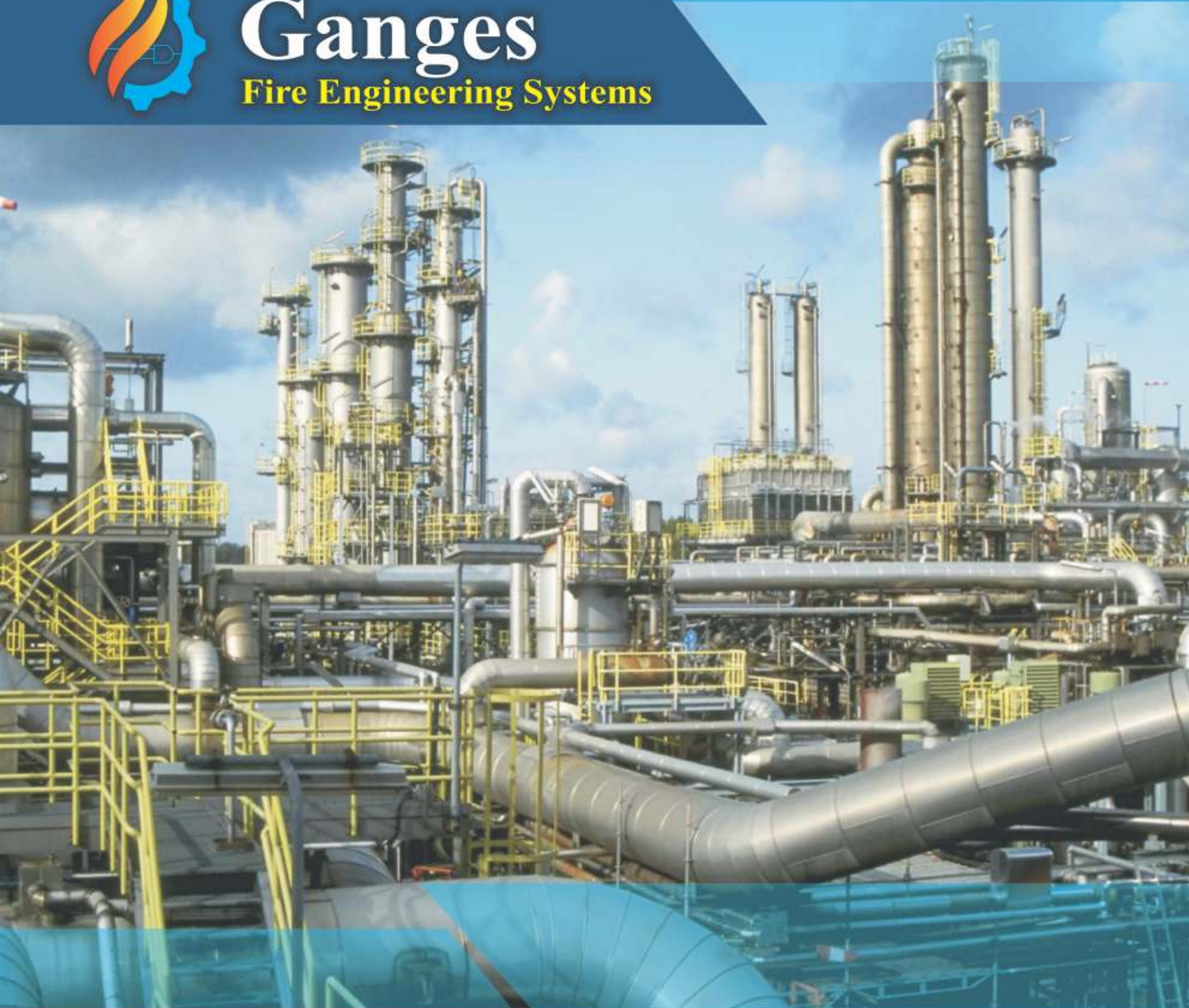


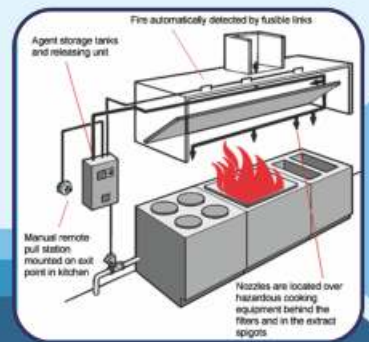


Ganges

Fire Engineering Systems



Fire Equipment Supply, System Integrators, Design & Engineering Specialist



GANGES FIRE PROTECTION SECURITY SOLUTIONS

Ganges aims to provide the highest quality service on time and at competitive prices. We offer quick responses and customer friendly services. We are responsive to our clients and take pride in combining a small company's abilities with a large company's advantage. Specialized areas of fire protection, suppression, detection and alarms. We are the smart choice when early fire detection and suppression needs are especially demanding.

To Sharpen our customer focus and advance our collective leadership in the industry. Ganges focuses on fire protection solutions for the oil & gas, marine & offshore industries. It fabricates and supplies customized skids for clients in the offshore sector. Ganges Special Hazard was established to service the special hazard needs of the fire protection industry.

BEST PRACTICES AND INNOVATION

- Fire, Gas, Smoke Detection System
- Fire Alarm Panel - Addressable & Conventional
- Talkback Systems (Public Address Systems)
- Emergency & Exit Lights



GAS BASED SYSTEM

- FM-200 (HFC-227ea) Clean Agent Extinguishing Systems
- Novec 1230 (FK-5-1-12) Clean Agent Fire Extinguisher System
- Inert Gases (IG-55,541) Clean Agent Fire Extinguishing Systems
- Fire Detection & Tube Extinguishing System
- High Pressure CO2 Fire Extinguisher System
- Low Pressure CO2 Fire Extinguisher System
- Self-Contained Compressed Air Breathing Apparatus (SCBA)
- AEROSOL Fire Extinguisher System
- CF3I (Triiodide) (Replacement of Halon 1211) Fire Extinguisher System
- Kitchen Fire Suppression System



WATER SPRAY SYSTEMS

- Water Mist System
- Automatic Scanning and Positioning Water-Spray Fire Extinguishing System
- Floating Roof Tanks Fire Protection Systems.



FIRE FIGHTING EQUIPMENTS

- Hose Reel
- Fire Hydrant
- Skids For Deluge System (Customized)
- Foam
- Dry Chemical
- Water Mist

FLOW CONTROL EQUIPMENT

- Deluge Valve
- Post Indicator Valve

FIRE EXTINGUISHER

- ABC Multipurpose Dry Chemical Fire Extinguisher
- Universal Ultra AR-AFF Foam Fire Extinguisher
- Carbon Dioxide (CO2) Fire Extinguisher
- Water, AEROSOL, Fire Ball Fire Extinguisher



ACCESSORIES :

- Foam Fire Fighting Products
- Foam Proportioning Equipments
- Vertical and Horizontal Bladder Tank
- Manual Monitors
- High Expansion Foam Generator
- Foam Equipment - Handline Nozzle & Eductor
- Proportioning Foam Trailer
- Foam Systems Mobilcart



A LEADER IN THE FIELD OF DESIGN.

Ganges has been at the forefront of fire protection design, pre-fabrication and installation of fixed fire protection systems for Employing only the best engineering practices, uses brands that enable the delivery of quality projects on time while adhering to stringent standards to ensure all operations are done in an environmentally responsible manner.

STRENGTH & CAPABILITIES : KNOWLEDGE AND DESIGN

Top design engineers have experience.

All engineering team are CAD literate with latest AutoCAD and Microstation versions.

Value Engineering

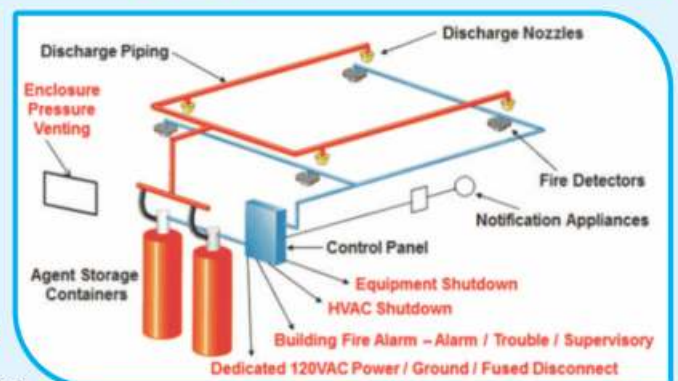
Working knowledge of Various Indian, International codes e.q. NFPA, CP, MS, AS, NES, IMO, SOLO, ABB, OISD, BIS, OSHA, NSDF, NBC, TAC, etc.

Perform full hydraulic calculations by use of software.

Extensive experiences from projects across the region.

DESIGN / ENGINEERING SERVICES

- Strength & Capabilities : Knowledge and Design.
- We are able to provide design and value engineering.
- Sprinkler Systems
- Pre-action Systems
- Hydrant Systems
- Dry/Wet Riser Systems
- Hose reel Systems
- Foam Systems
- Fire Extinguishers
- Water Spray Systems
- Water Mist Systems
- Fire Alarm Systems
- Pump Systems
- HVWS, MVWS, LVWS
- Plumbing & Sanitary
- FM-200
- Co2 Systems
- Inergan, IG541, IG-55 (Argonite)
- Novec 1230
- IG-100
- NAF
- AEROSOL



ALL TYPE OF CCTV, SECURITY, SURVEILLANCES & SYSTEMS

Products include IP Cameras, NVR, SDI Cameras, SDI, DVR, analog cameras including WDR cameras (widely used in the jewellers industry), license plate recognition cameras, super low lux (starlight) cameras, and an extensive range of DVR.

WE PROTECT LIVES, ASSETS, INDUSTRIES

Ganges offers a wide range of proven fire protection technologies to serve the diverse needs of commercial and industrial facilities. Our products & services combined with our highly skilled installation and serves, allow us to provide you with a total system solution to solve your specific fire protection needs.

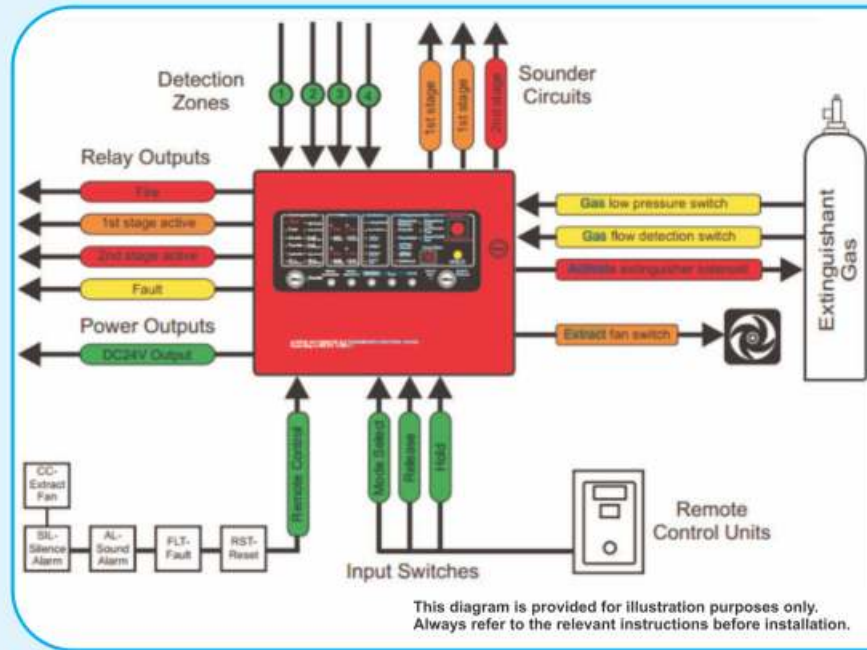
While we encourage you to contact us regardless of your needs, we have developed products and services that are particularly aligned to the special equipment listing and applications of the following.

INDUSTRIES :

- Cement Plants
- Clean Rooms
- Commercial Kitchens
- Communications
- Data Processing
- Heritage
- Preservation
- Industrial Processes
- Pharmaceuticals
- Manufacturing
- Iron & Steel
- Mining
- Power Generation
- Records Storages
- Banks
- Multi Complexes
- Hospitals
- Colleges
- Refineries, etc.
- Marine
- Oil & Gas
- Malls
- Schools
- Ware Houses

MAINTENANCE & EMERGENCY SERVICES

Ganges fire systems offer the full spectrum of important post installation services, ranging from code-compliant testing & maintenance to 24-hour emergency service, 365/7/24, Days/Times



Ganges

Fire Engineering Systems

Mumbai :

Worli, B.D.D. Bldg, 37/55, Mumbai - 400 018 | **Mobile :** 79777 84448 / 96406 09300
Email: info@gfire.in, gfireengsys@gmail.com

Hyderabad :

Sai Krupa Apt., R.K. Nagar, Bagh Amberpet, Hyderabad, Telangana - 500 013.
Mobile : 96406 09300 | **Email:** info@gfire.in, gfireengsys@gmail.com

Website : www.gfire.in